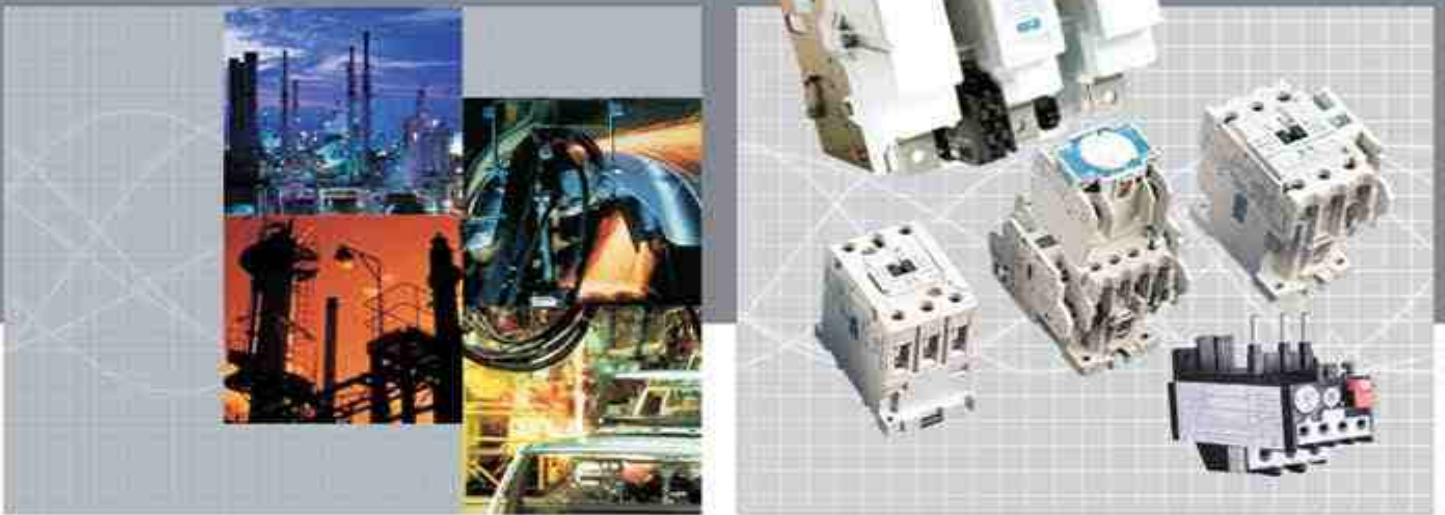


Contactors & Overload Relays



FREEDOM SERIES



BCH ELECTRIC LIMITED
we care for you

CONTACTOR GENERAL CHARACTERISTICS Standard - IEC 60947-4-1

Pollution Degree : 3
Impulse Voltage withstand : 6kV
Operating Temperature (upto 300A) : - 20°C to + 55° C
(above 300A) : - 20° C to + 45° C
Operating altitude : 2000m
Vibration : 5 to 100 Hz (0.7g in x,y,z.plane)
Humidity : Max 50% RH at 60°C
Max 95% RH at 40°C
Operating position : ±30°



CONTACTOR CAT. REFERENCE		CE15AN 0.3 B	CE15BN 0.3 B	CE15CN 0.3 B	CE15DN3 B	CE15EN3 B	CE15FN3 B	CE15GN3 B	CE15HN3 B	CE15JN3 B	CE15KN3 B	MCE15LN3 5	MCE15MON3 5	MCE15MN3 5	MCE15NN3 7	MCE15QN3 7	MCE15RN3 7	MCE15SON3 7	MCE15SN3 7	GH54.3.22	GH55.3.22	GH57.3.22	GH62.3.22	GH64.3.22	GH76.3.22	GH78.3.12
Nominal current rating at 380/415V 50Hz (AC3 Duty)	Ie (A)	6	9.1	12	16	25	32	40	50	65	73	80	95	110	140	185	200	265	300	400	450	550	700	860	1000	1200
Standard power rating at 380/415V 50Hz	P(kW)	2.2/2.2	4/4	5.5/5.5	7.5/7.5	11/11	15/15	18.5/22	22/25	30/37	37/37	40/40	47/47	59/59	75/75	90/90	110/110	90/90	160/160	220/240	220/240	280/315	375/400	475/500	550/600	650/700
Electrical endurance at rated current AC3 Duty	Million	2.7	2.3	2.1	1.5	1.5	1.7	1.1	1.3	1.4	1.3	0.75	0.85	0.82	0.62	0.55	0.52	0.55	0.351	0.6	0.6	0.6	0.6	0.6	0.6	0.6
Maximum operations per hour		600	600	600	600	600	600	600	600	600	600	600	600	600	600	600	600	600	300	300	300	300	300	120	120	

MECHANICAL DATA																										
Frame size (mm)		45	45	45	45	45	45	65	65	65	65	125	125	125	178	178	178	178	178	220	220	220	280	280	334	334
Number of poles		4	4	4	3	3	3	3	3	3	3	3	3	3	3	3	3	3	3	3	3	3	3	3	3	3
Mechanical life (Million of Operations)		20	20	20	20	20	20	10	10	10	10	10	10	10	5	5	5	5	5	5	5	5 - 10	5 - 10	5 - 10	1-5	1-5
Weight (kg.)		0.41	0.41	0.41	0.44	0.44	0.44	1.28	1.28	1.28	1.28	2.6	2.6	2.6	8.25	8.3	8.3	8.3	8.3	13	13	13.5	26.4	27.6	49	53

POWER CIRCUIT																											
Operational voltage (V)		660	660	660	660	660	660	660	660	660	660	660	660	660	660	660	660	660	660	660	1000	1000	1000	1000	1000	690	690
Insulation voltage Ui (V)		690	690	690	690	690	690	690	690	690	690	690	690	690	690	690	690	690	690	690	1000	1000	1000	1000	1000	690	690
Thermal current Ith (A)		20	20	20	32	40	40	60	75	80	80	140	150	150	300	300	300	315	315	600	600	760	1000	1100	1200	1350	
AC-1 Duty rated at 380/415V 50Hz (40°C)	Ie (A)	20	20	20	32	40	40	60	75	80	80	140	150	150	300	300	300	315	315	600	600	760	1000	1100	1200	1350	
AC-4 Duty rating at 380/415V 50Hz	Ie (A)	6	9.1	12	16	23	23	37	44	50	59	65	90	100	106	110	140	165	170	400	450	550	700	860	1000	1200	
Electrical life at rated current AC4 Duty		60000	59000	43000	67000	52000	75000	58000	62000	35000	34000	50000	60000	60000	61000	65000	65000	60000	60000	6000	6000	6000	6000	6000	6000	6000	
AC-4 Duty rating for 200000 operations	Ie (A)	2.5	4.3	4.8	8.3	10	12	17	34	34	34	35	38	40	50	65	70	75	80	100	100	115	140	185	215	265	300
Stator current rating acc. to AC2 Duty (A)	100%DF	6	9.1	12	16	25	32	40	50	65	73	80	95	110	140	185	200	265	300	400	450	550	700	860	1000	1200	
Rotor Duty rating - Delta Connected (A)	100%DF	12	16	21	29	40	52	64	76	104	126	160	200	225	330	380	393	425	465	750	840	1060	1400	1540	1680	1850	
	60%DF	15	21	27	38	51	67	83	98	134	163	200	250	290	426	500	507	550	600	860	960	1210	1600	1760	1930	2120	
	40%DF	19	26	33	47	63	82	101	120	164	200	250	310	356	522	600	621	700	735	1020	1130	1430	1890	2080	2270	2500	
	20%DF	27	36	46	66	89	116	143	170	232	283	350	450	503	738	850	879	950	1040	1300	1420	1790	2370	2610	2840	3130	

Maximum Rotor Voltage - Starting & Inching Starting & Plugging		Delta connected - 1380V ; Star connected - 1160V Delta connected - 690V ; Star connected - 575V																			Delta connected - 1700V ; Star connected - 2000V Delta connected - 850V ; Star connected - 1000V						Delta connected - 1160V ; Star connected - 1380V Delta connected - 580V ; Star connected - 690V			
Transformer primary switching 500V AC	A	3.1	4.2	5.4	7.6	10	13	15	20	20	24	30	40	48	63	80	90	100	135	185	203	250	315	390	450	540				
Capacitor switching (single bank only) 415, 3ph	kVAR	4.9	6.7	8.6	12	15	15	25	30	37	40	50	60	67	75	95	110	140	158	190	200	250	350	400	450	500				

CONTROL CIRCUIT																											
AC coil consumption	Pick up/Sealed	VA	70/6.4	70/6.4	70/6.4	92/8	92/8	92/8	230/28	230/28	230/28	230/28	390/50	390/50	390/50	1040/116	1040/116	1040/116	1040/116	1040/116	950/11	950/11	950/11	1600/25	1600/25	2450/75	2450/75
	Sealed	W	1.9	1.9	1.9	2.7	2.7	2.7	8	8	8	8	14	14	14	17	17	17	17	17	10	10	10	22	22	60	60
Average operating time	Pickup / Drop out timing	msec	16/12	16/12	16/12	16/12	16/12	16/12	24/19	24/19	24/19	24/19	20/16	20/16	20/16	23/15	23/15	23/15	23/15	23/15	100/170	100/170	100/170	105/200	105/200	70/50	70/50
DC coil Consumption	Pickup / Sealed	Watts	90/4	90/4	90/4	90/4	90/4	90/4	220/6	220/6	220/6	220/6	-	-	-	-	-	-	-	-	850/10	850/10	850/10	1550/22	1550/22	2100/60	2100/60

ADDITIONAL AUXILIARY CONTACT BLOCKS	SIDE BLOCK	FRONT MOUNTING BLOCK	PNEUMATIC TIMER	MECHANICAL INTERLOCK	AUXILIARY CONTACT BLOCK (SIDE MOUNTING)	AUXILIARY CONTACT BLOCK (GH CONTACTORS)	4TH ADD-ON NEUTRAL SWITCHING POLE
Rated Thermal Current 1th - 10Amp Rated Insulation voltage - 690V Operating Frequency - 50 to 60 Hz AC 15 Duty at 220/240V - 960VA, 4A DC 13 Duty at 220V - 110W, 0.5A Conditional Short circuit Current - 1kA	1NO - C320 KGSR10 1NC - C320 KGSR01 1NO + 1NC- C320KGSR11 2 NO - C320KGSR20	1NO - C320 KGTA10 2NO+2NC - C320KGT*22 1NC - C320KGTA01 3NO+1NC - C320KGT*31 1NO+1NC - C320KGT*11 3NC + 1NO - C320KGT*13 2NO - C320KGT*20 4NO - C320KGT*40 2NC - C320KGT*02 4NC - C320KGT*04 *C - Power Contactor * R - Control Relay	Site selectable ON/OFF - Delay timer with 1NO+1NC Aux. Cont. 0.1 to 30 sec. - C320TP1 10 to 180 sec. - C320TP2	For CR, CE15A-K C321KM60 MCE15LN-MN MC321KM2 MCE15NN-SN MC321KM3 GH 54-57 BM5H/BM5V 62-64 BM6H/BM6V 76-78 BM7H/BM 7V	For MCE15MN MCE15NN/RN/SN 1NO + 1NC C320KGS11 MCE15MN/NN/RN/SN 1NO + 1NC MC320KB11 1NO + 1NC MC320KAS11 (Late Break Type)	For GH55/57/ 62/64 2NO+2NC EF22 GH76/78 1NO+1NC EB11	Rating (Ith) 300A 425A 760A GH55 & GH57 NP325/5 NP500/5 GH62 & GH64 NP500/6 NP900/6 GH76 & GH78 NP500/7 NP900/7

MC305ANA3*	CITATION - DIRECT	CT* MC 305 ANA 3C	CITATION - CT OPERATED	CITATION ACCESSORIES	MC318ANA3*	FREEDOM - DIRECT	MC318GNA3*	FREEDOM	NOTES ON ORDERING INFORMATION
------------	-------------------	-------------------	------------------------	----------------------	------------	------------------	------------	---------	-------------------------------

	(0.195A-0.31A)* -A (0.30A-0.48A)* -B (0.47A-0.75A)* -C (0.75A-1.14A)* -D (1.07A-1.70A)* -E (1.58A-2.50A)* -F *Add suffix of corresponding range		(2.40A-3.80A)* -G (3.80A-6.00A)* -H (6.00A-9.30A)* -J (8.90A-13.50A)* -K (13.20A-20.00A)* -L (17.40A-24.00A)* -M (22.0A-30.00A)* -N *Add suffix of corresponding range		DIN Rail Kit MC305DM1 (For A - K Relay) MC305DM2 (For L - N Relay)	Adjustment Cover Terminal Block* Terminal Block* Terminal Block for Terminal Side (L, M & N Ranges)	MC305PC MC305TB1 MC305TB2 MC305TB3		(0.1A-0.16A)* -A (0.16A-0.25A)* -B (0.25A-0.4A)* -C (0.4A-0.63A)* -D (0.63A-1.0A)* -E (1.0A-1.4A)* -F *Add suffix of corresponding range		(1.30A-1.8A)* -G (1.7A-2.4A)* -H (2.2A-3.1A)* -J (2.8A-4.0A)* -K (3.5A-5.0A)* -L (4.5A-6.5A)* -M		(6.0A-8.5A)* -N (7.5A-11.0A)* -P (10A-14A)* -Q (13A-19A)* -R (18A-25A)* -S (24A-32A)* -T *Add suffix of corresponding range		(18A-25A)* -A (22A-32A)* -B (29A-42A)* -C (36A-52A)* -D (45A-63A)* -E (60A-80A)* -F *Add suffix of corresponding range	COIL VOLTAGE CODE SIZE D15CR, CE15AN - MCE15SN	COIL VOLTAGE CODE - SIZE GH55-78																																																													
<table border="1"> <tr><td>Coil Voltage</td><td>AC</td><td>DC*</td></tr> <tr><td>24</td><td>U</td><td>U3</td></tr> <tr><td>42</td><td>R</td><td></td></tr> <tr><td>48</td><td>W</td><td></td></tr> <tr><td>110</td><td>A</td><td>A3</td></tr> <tr><td>220</td><td>B</td><td>B3</td></tr> <tr><td>240</td><td>H</td><td></td></tr> <tr><td>220/240</td><td>L</td><td></td></tr> <tr><td>380</td><td>L</td><td></td></tr> <tr><td>415</td><td>M</td><td></td></tr> <tr><td>550</td><td>D</td><td></td></tr> <tr><td>440</td><td>C</td><td></td></tr> </table>		Coil Voltage	AC	DC*	24	U	U3	42	R		48	W		110	A	A3	220	B	B3	240	H		220/240	L		380	L		415	M		550	D		440	C		<table border="1"> <tr><td>Volts AC</td><td>GH55 to GH64</td><td>GH76/78</td></tr> <tr><td>110</td><td>A7</td><td>A7</td></tr> <tr><td>220</td><td>B7</td><td>B7</td></tr> <tr><td>380</td><td>L7</td><td>L7</td></tr> <tr><td>440</td><td>-</td><td>-</td></tr> <tr><td>Volts DC</td><td>GH55 to GH64</td><td>GH76/78</td></tr> <tr><td>48</td><td>-</td><td>W17</td></tr> <tr><td>110</td><td>A17</td><td>A17</td></tr> <tr><td>220</td><td>B17</td><td>B17</td></tr> <tr><td>380</td><td>-</td><td>-</td></tr> <tr><td>440</td><td>-</td><td>-</td></tr> </table>		Volts AC	GH55 to GH64	GH76/78	110	A7	A7	220	B7	B7	380	L7	L7	440	-	-	Volts DC	GH55 to GH64	GH76/78	48	-	W17	110	A17	A17	220	B17	B17	380	-	-	440	-	-	<p>*Terminal Blocks are meant for converting Contactor Mounting Relays to individual Mounting relays. With N Relays use of Terminal Block MC305TB3 is essential.</p>		<p>* DC coils are supplied upto size K /73A contactors</p>		<p>■ Suffix code for Coil Voltage ● Code for built-in Aux. Contact (S-1NO, C-1NC)</p>	
Coil Voltage	AC	DC*																																																																												
24	U	U3																																																																												
42	R																																																																													
48	W																																																																													
110	A	A3																																																																												
220	B	B3																																																																												
240	H																																																																													
220/240	L																																																																													
380	L																																																																													
415	M																																																																													
550	D																																																																													
440	C																																																																													
Volts AC	GH55 to GH64	GH76/78																																																																												
110	A7	A7																																																																												
220	B7	B7																																																																												
380	L7	L7																																																																												
440	-	-																																																																												
Volts DC	GH55 to GH64	GH76/78																																																																												
48	-	W17																																																																												
110	A17	A17																																																																												
220	B17	B17																																																																												
380	-	-																																																																												
440	-	-																																																																												



CONTROL RELAY CAT. REFERENCE : D15CR22 ■ , D15CR31 ■ & D15CR40

TECHNICAL DATA

Control Relay

D15CR22, D15CR31 & D15CR40

Standards	IEC 60947-1, 60947-5		
Width mm	45		
Numbers of Poles	4		
Protection against direct contact	IP20		
Mechanical life span	20,000,000		
Weight	410gm		
Environment	3		
Pollution degree IEC 60947-4-1			
Impulse withstand voltage IEC60947-1	6kV		
Operating temperature, open	-20 to +65°C		
Operating altitude	2,000m		
Operating position (relative to normal mounting position)	± 30°		
Contact ratings (rated thermal current. Open Ith)	10A		
Rated Insulation voltage Ui	690V		
Operating frequency limits	50 to 60Hz		
AC 15 DUTY	Ue	VA	Ie
Control of A.C. electromagnetic loads (Greater than 72 VA)	48	480	10
	120	720	6
	240	960	4
	440	880	2
	660	990	1.5
DC 13 DUTY	Ue	W	Ie
Control of D. C. electromagnets	24	192	8
	48	288	6
	120	120	1
	220	110	0.5
	440	110	0.25
	660	66	0.1

Coil Data

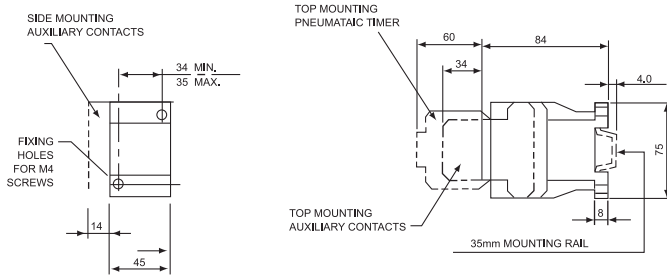
Refer CE15BN•3■

TECHNICAL DATA - OVERLOAD RELAYS

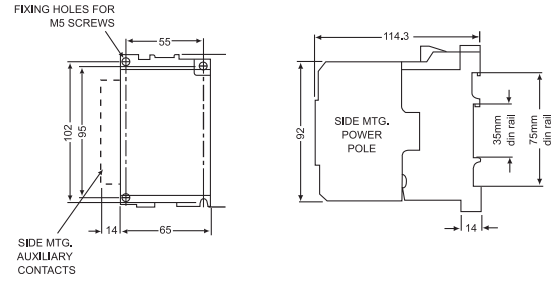
THERMAL OVERLOAD RELAYS		MC318ANA* / MC 318 GNA*	CT*MC305ANA3C	MC305ANA3*
GENERAL				
Storage temperature	deg C.	-40...+70	-40...+60	-40...+60
Operating temperature	deg C.	-25... +55	-10...+55	-10...+55
Fixing		Direct/Independent mounting	Independent mounting	Direct mounting
POWER CIRCUIT				
Rated insulation voltage Ui (V)		690	690	690
Tripping class as per IEC 947-4-1		10A	20	10
Switching frequency (Op./Hr.)		15	15	15
AUXILIARY CIRCUIT				
Type of contacts		1NO+1NC	1C/O	1C/O
Reset type		Auto/manual selectable	Auto/manual selectable	Auto/manual selectable
Rated voltage Ui at NO/NC Contacts (V)		500	600	600
Rated operational current	240V (A)	3(NC)/1.5(NO)	2.5	2.5
	AC-15 440V (A)	1.9(NC)/0.95(NO)	1.4	1.4
	500V (A)	1(NC)/0.75(NO)	1.2	1.2
Ie	DC-13 220V (A)	0.12(NC)/0.04(NO)	0.12	0.12
Gg class protection fuse	(A)	10(NC)/6 (NO)	4	4

CONTACTOR DIMENSIONS (MM)

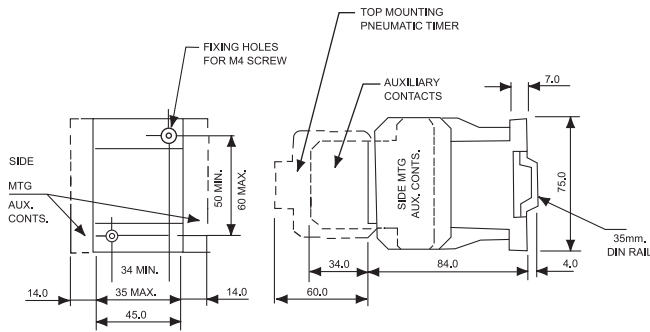
CE15BN TO FN



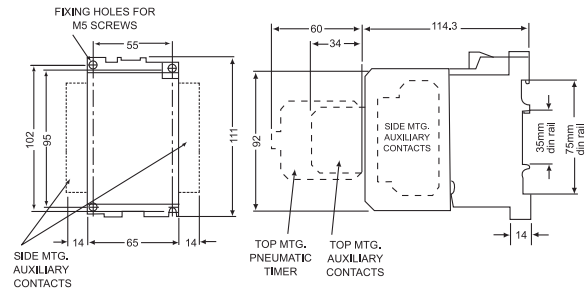
CE15GN TO KN



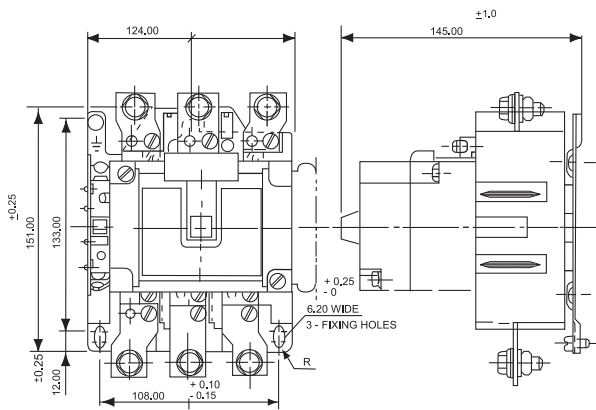
CE15BN TO FN



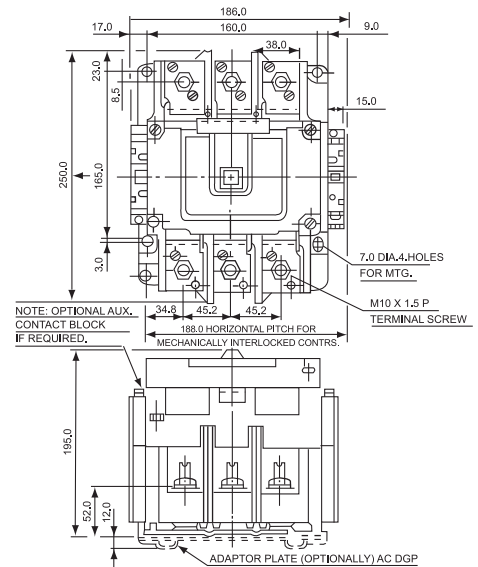
CE15GN TO KN



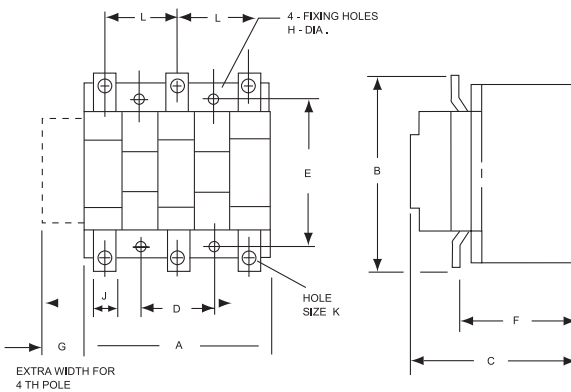
MCE15LN/MON/MN



MCE15NN TO SN



GH54 TO GH78



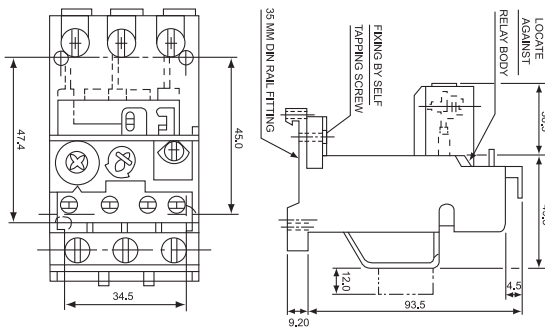
For Dimension details refer to the table as follows

GH CONTACTORS

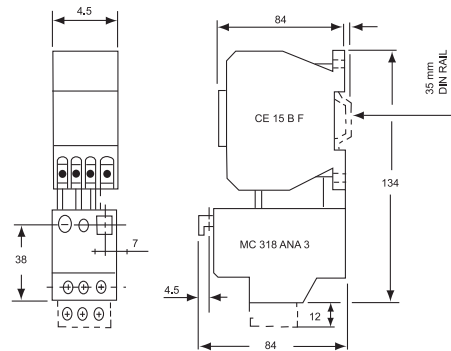
	A	B	C	D	E	F	G	H	J	K	L	Mechanical Intlk mounting matrix		Weight kg.
												Horiz.	Vert.	
GH 54	220	233	225	110	220	160	72	8	30	10.5	80	262	314	13
GH 55	220	233	225	110	220	160	72	8	30	10.5	80	262	314	13
GH 57	220	258	225	110	220	160	72	8	40	12.5	80	262	314	13.5
GH 62	280	307	291	175	280	200	90	10	50	13	100	312	380	26
GH 64	280	361	291	175	280	200	90	10	50	15	100	312	380	28
GH 76	334	490	345	120	380	220	111	12	50	17X2	100	380	580	49
GH 78	334	490	345	120	380	220	111	12	60	17X2	100	380	580	53

OVERLOAD RELAY - DIMENSIONS (MM)

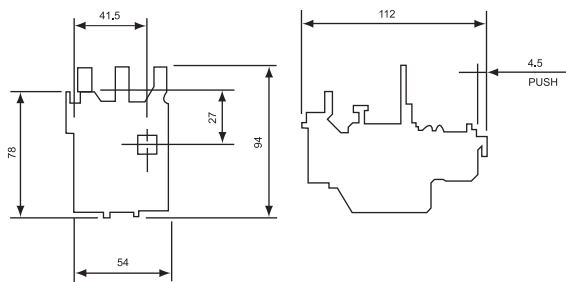
MC318ANA* + C318 F1



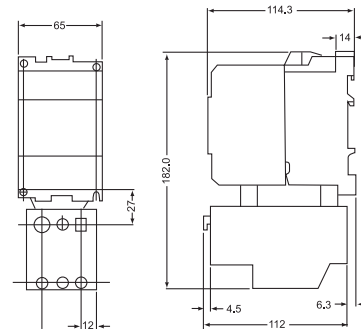
CE15BN TO FN + MC318ANA 3*



MC318GNA 3*

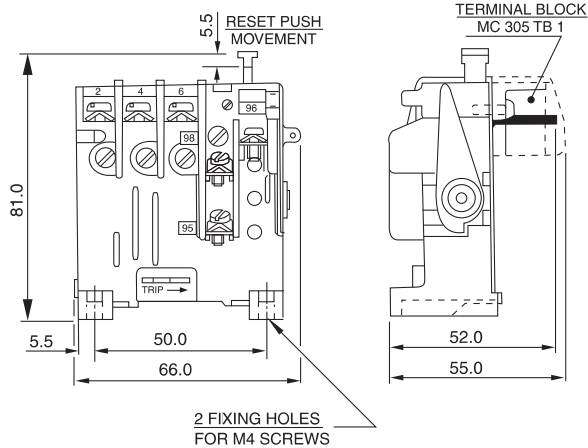


CE15HN TO KN + MC318 GNA 3*

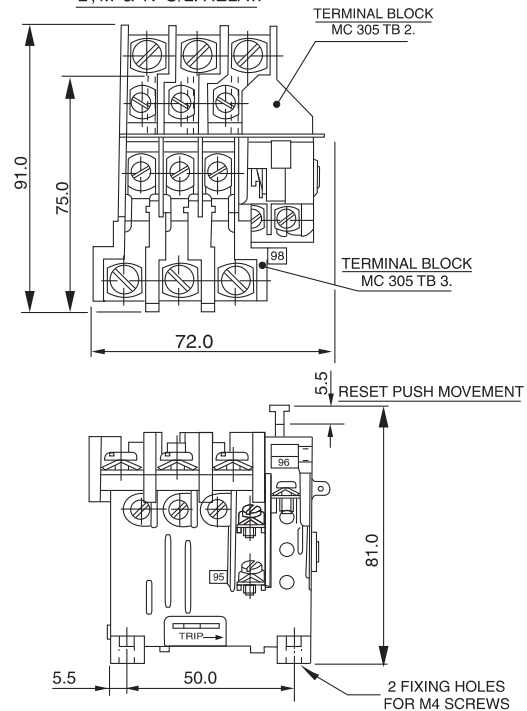


CITATION - DIRECT READING RELAY

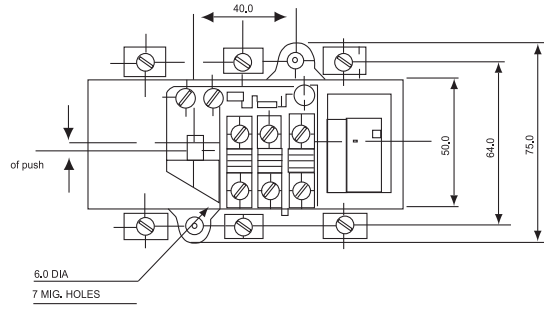
UPTO 'K' O/L. RELAY.



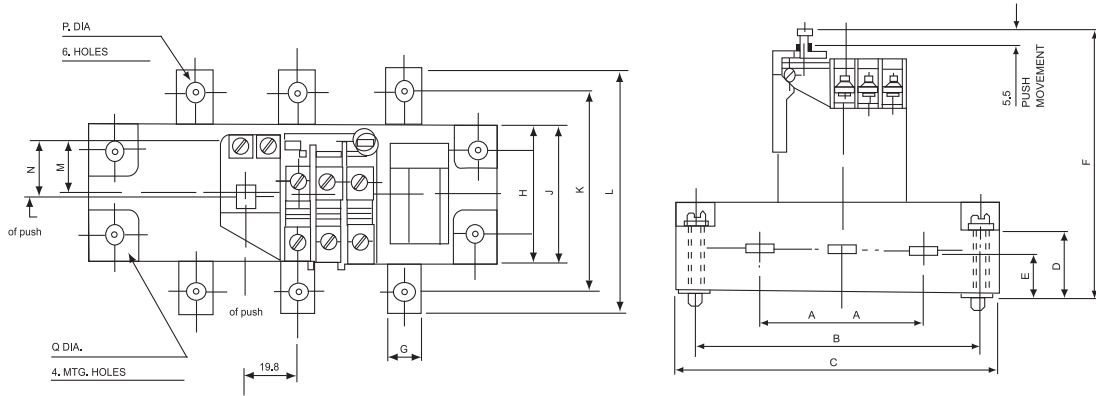
'L', 'M' & 'N' O/L. RELAY.



CT1



CT2 - CT8



CT OPERATED RELAY

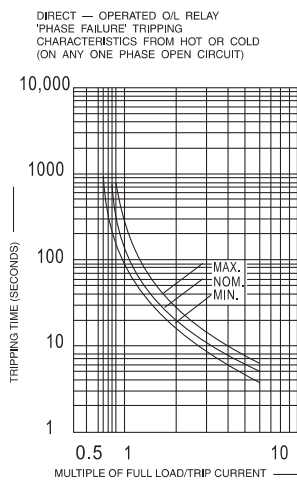
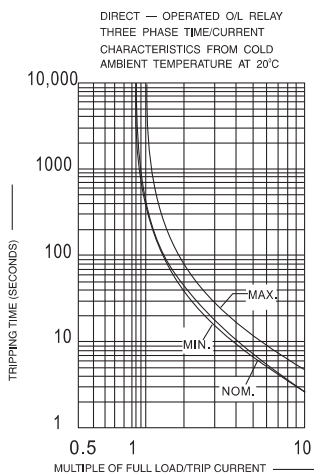
Weights (kg)

Relay/ type	A	B	C	D	E	F	G	H	J	K	L	M	N	P	Q
CT1	40	40	125	-	-	123	-	-	50	64	76	-	-	-	7
CT2	44	138	156	35	21.5	125	12	32	50	74	90	18.0	21.0	6.5	7.0
CT3	54	162	180	43	25.5	133	22	32	50	82	106	18.0	21.0	13.0	7.0
CT4	54	162	180	43	25.5	133	22	32	50	82	106	18.0	21.0	13.0	7.0
CT5	60	182	200	63	34.5	153	32	32	50	88	116	18.0	21.0	13.0	7.0
CT6	60	182	200	63	34.5	153	32	32	50	88	116	18.0	21.0	13.0	7.0
CT7	86	252	270	63	33.0	153	34	32	50	100	140	18.0	21.0	16.5	7.0
CT8	86	252	270	63	33.0	153	34	32	50	100	140	18.0	21.0	16.5	7.0

Citation M overload relay	: 0.123
Terminal block	: 0.029
C T operated relay	: CT1 : 1.3
	CT2 : 1.4
	CT3 : 1.6
	CT4 : 1.6
	CT5 : 2.2
	CT6 : 2.2
	CT7 : 3.1
	CT8 : 3.3

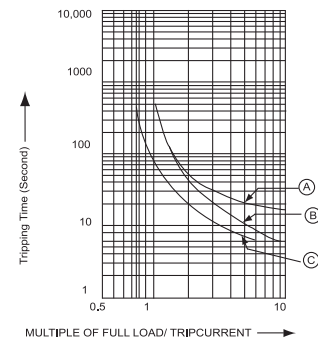
OVERLOAD CHARACTERISTIC (time / current)

CITATION DIRECT OPERATED OVERLOAD RELAY



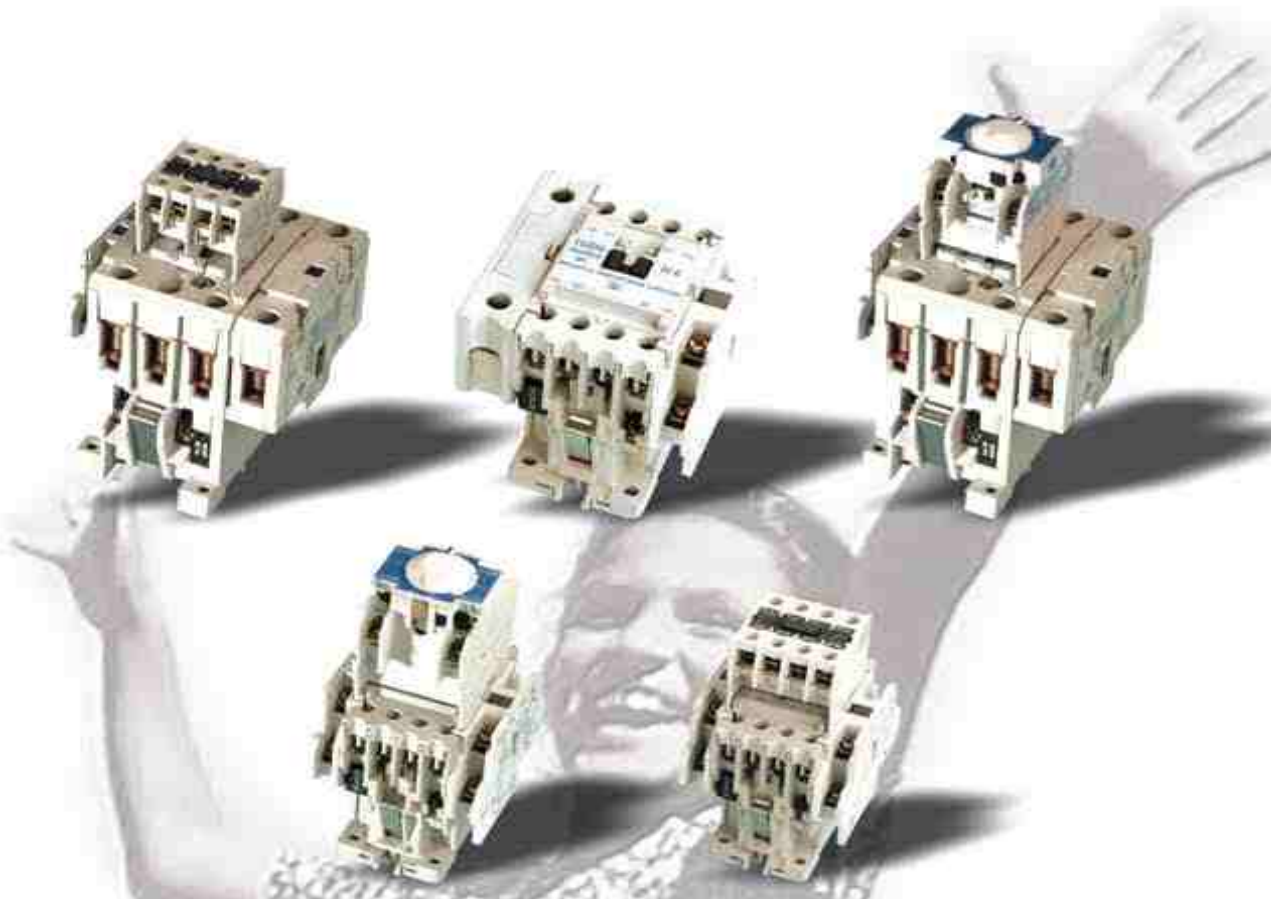
SIZE CT* 305ANA 3C

FLC CURRENT RANGES 24.44 TO 600A



- A. Three phase characteristic at higher setting
- B. Three phase characteristic at lower setting.
- C. Single phase characteristic (Based on lower setting)

NOTE : TRIP CURRENTS ARE RELATED TO MINIMUM FLC.
INDEPENDENT OF CALIBRATION SETTING



BCH ELECTRIC LIMITED

Visit us at : www.bchindia.com

Corporate Office : 1105, New Delhi House, 27, Barakhamba Road, New Delhi-110 001 Tel. : 91-11-23316029/3610/6539 Fax : 91-11-23715249 E-mail : marketing@bchindia.com

Registered Office : Block 1E, 216, Acharya Jagadish Chandra Bose Road, Kolkata - 700 017

Works : 20/4, Mathura Road, Faridabad -121 006 (Haryana) Tel. : 0129-4063000/4061026 Fax : 0129-2304024

Sales Offices :

Ahmedabad

93, City Centre,
Near Swastik Char Rasta,
C.G. Road, Navrangpura,
Ahmedabad- 380 009
Tel. : 079-26565719/26565728
Mobile : 98256-07601
Fax : 079-96561210
E-mail : ahmedabad@bchindia.com

Bangalore

B.M.H. Complex, 2nd Floor,
No. 22, Kengal Hanumanthiah Road,
Bangalore - 560 027
Tel. : 080-22273478/41144878/41144879
Mobile : 98455-46105
Fax : 080-22236759
E-mail : bangalore@bchindia.com

Bhubaneswar

Plot No. 4708/1,
Gajapati Nagar,
Bhubaneswar - 750 005
Tel. : 0674-2301716
Mobile : 98610-81767
E-mail : bhubaneswar@bchindia.com

Chandigarh

SCO 121-22-23, 1st Floor,
Sector 34-A, Chandigarh - 160 022
Tel. : 0172-5078957
Mobile : 98554-87089
Fax : 0172-5049905
E-mail : chandigarh@bchindia.com

Chennai

LVR CENTRE, 3rd Floor,
No. 7, Seshadri Road,
Alwarpet Chennai - 600 018
Tel. : 044-2497042/2497002
Mobile : 98402-85500
Fax : 044-24998853
E-mail : chennai@bchindia.com

Cochin

A-5, Navaniketan Apartments,
B-1, Chakos Chambers,
By Pass Junction
Cochin - 682 025
Tel. : 0484-6593697/2343080
Mobile : 98477-43393
E-mail : cochin@bchindia.com

Coimbatore

87, Dr. Nanjappa Road,
Coimbatore - 641 018
Tel. : 0422-2305311
Mobile : 98430-53555
Fax : 0422-2302599
E-mail : coimbatore@bchindia.com

Faridabad

110 & 117, Om Shubham Tower
Neelam Bata Road, N.I.T,
Faridabad - 121 001 (Haryana)
Tel. : 0129-4083007
Mobile : 98180-10700
Fax : 04060545
E-mail : faridabad@bchindia.com

Gurgaon

SF-203, Navkriti Arcade
Block-A, Sushant Lok, Phase-II
Gurgaon - 122 001 (Haryana)
Mobile : 98101-55464
E-mail : gurgaon@bchindia.com

Guwahati

2nd Floor, Maya Ville
Borthakur Mill Road, Ulubari,
Guwahati - 780 007
Tel. : 0361-2452026/27
Mobile : 94357-03797
Fax : 0361-2452026
E-mail : guwahati@bchindia.com

Hospet

940C, Third Cross
Third Ward, Patel Nagar
Station Road,
Hospet - 583 201
Mobile : 98459-30782
E-mail : hospet@bchindia.com

Hubli

Ashok Nagar
Hubli (Karnataka)
Tel. : 0836-3090472
Mobile : 98802-90471
E-mail : hubli@bchindia.com

Hyderabad

210, Prajaya Corporate House,
1-10-63 & 64, Chikoli Garden,
Begumpet, Hyderabad - 500 016
Tel. : 040-66206263/27763325
Mobile : 98493-99240
Fax : 040-66207273
E-mail : hyderabad@bchindia.com

Indore

330-331, Indraprastha Tower,
6, M.G. Road, Indore - 452 001
Tel. : 0731-2510011
Mobile : 98266-66091
Fax : 0731-2510012
E-mail : indore@bchindia.com

Jaipur

25, Hathroi, Gopalbari,
Jaipur - 302 001
Tel. : 0141-5104521
Mobile : 98290-10813
Fax : 0141-2363521
E-mail : jaipur@bchindia.com

Jamshedpur

3rd Floor, Aastha Trade Centre,
'O' Road, Bistupur,
Jamshedpur - 831 001
Tel. : 0657-6573507/2756171
Mobile : 98351-82109
Fax : 0657-2420439
E-mail : jamshedpur@bchindia.com

Kolkata

East India House,
3rd Floor, 20-B, Abdul Hamid
Street, Kolkata - 700 069
Tel. : 033-22138508/10
Mobile : 98303-36101
Fax : 033-22138512
E-mail : kolkata@bchindia.com

Lucknow

Madan Plaza, 3rd Floor,
14, Station Road, Lucknow
Tel. : 0522-4025597/4025597/4025697
Mobile : 98399-12304
E-mail : lucknow@bchindia.com

Ludhiana

S.C.O.- 18, 2nd Floor
Feroze Gandhi Market,
Ludhiana - 140 001
Tel. : 0161-5021807/5022808
Mobile : 97791-26636
Fax : 0161-5021807
E-mail : ludhiana@bchindia.com

Madurai

E-168/69, Santanam Road
TVS Nagar
Madurai - 625 003
Tel. : 0161-5021807/5022808
Mobile : 98431-33990
E-mail : madurai@bchindia.com

Mumbai

A-151, Mittal Tower
Nariman Point,
Mumbai - 400 021
Tel. : 022-22822947/22826039
Mobile : 98923-00706
Fax : 022-22822858
E-mail : mumbai@bchindia.com

Nagpur

3rd Floor, "Paradise Plaza"
Kadbi Chowk,
Nagpur - 440 004.
Tel. : 0712-2041518
Mobile : 99701-80877
Telefax : 0712-2041670
E-mail : nagpur@bchindia.com

New Delhi

801, Akash Deep,
26A, Barakhamba Road,
New Delhi - 110 001
Tel. : 011-23313878
Mobile : 98102-12502
Fax : 011-23739230
E-mail : delhi@bchindia.com

Pune

8, Sarosh Bhavan,
16-B/1, Dr. Ambedkar Road,
Pune - 411 001
Tel. : 020-26052590
Mobile : 98220-11086
Telefax : 020-26135224
E-mail : pune@bchindia.com

Raipur

2nd Floor,
Building No. B-234,
Indira Gandhi
Vyavasayik Parisar,
Pandri, Raipur - 492 004
Tel. : 0771-4020213
Mobile : 98266-66092
E-mail : raipur@bchindia.com

Surat

601/A, 21st Century Business Centre
Ring Road
Surat - 395 002
Tel. : 0261-2331840
Mobile : 98256-07617
Fax : 0261-2331841
E-mail : surat@bchindia.com

Trichy

Kingston Park,
Second Floor,
19/1, Pultur High Road,
Ramalinga Nagar,
Trichy - 620 003
Mobile : 99406-76502
E-mail : trichy@bchindia.com

Vadodara

101, Toran Complex,
Vikas Nagar, Old Padra Road
Vadodara - 390 020
Tel. : 0265-2345089
Mobile : 0265-6548444 (Direct)
Mobile : 98256-07606
Telefax : 0265-2345068
E-mail : vadodara@bchindia.com

Vishakapatnam

8-44-29/1 (B), Trishul Villa Apartment
Flat No. 102, Old CBI Down
Vidya Nagar, Ilrod Lane,
Pedda Wallair,
Vishakapatnam - 530 003
Mobile : 98492-35789
E-mail : vizag@bchindia.com

Dehradun

8, Cooperative Industrial Estate
Patel Nagar, Dehradun - 248 001
Uttarakhand
Tel. : 0135-2724803
Mobile : 97600-05793
Telefax : 0135-2626652
E-mail : dehradun@bchindia.com

Resident Engineer Locations Tel.

Ambala	93541-18839	Cuttack	92383-07231	Kanpur	98392-34539	Navi Mumbai	98923-00701	Silchar	94354-04033
Anravati	99701-80878	Durgapur	97320-03364	Karimnagar	98661-60614	Patiala	98763-57711	Siliguri	98320-11433
Ankleshwar	99099-26983	Ghaziabad	98107-44918	Kolhapur	98906-26205	Patna	98351-82705	Trivandrum	99472-31118
Aurangabad	98229-75469	Gwalior	98268-03658	Korba	98266-70300	Pondichery	98942-22033	Tinsukia	94361-28939
Baddi	93187-78975	Haldwani	99970-12643	Kota	98290-14899	Rajahmundry	98662-20504	Udaipur	98292-44085
Belgaum	98450-22457	Haridwar	97604-03456	Mangalore	98457-31944	Rajkot	98256-09602	Vijayawada	98662-31998
Bhilai	98266-12907	Jabalpur	98268-03656	Mehsana	98256-09705	Ranchi	98351-82703	Warangal	98499-02853
Bhiwadi	99281-04350	Jalandhar	98784-33025	Muzaffarnagar	98970-73741	Rourkela	99370-68743		
Bhopal	98266-66093	Jammu	099-06085611	Mysore	99001-74079	Solapur	98231-96919		
Chandrapur	99701-80874	Jodhpur	98290-28817	Nashik	98900-12944	Salem	98433-19533		