

# Time Switch FM Series

- Modular construction
- Inbuilt over-ride facility
- High switching capacity
- Tamper proof sealing
- Analog & Digital version
- Daily/Weekly programming
- Graphical Program LCD



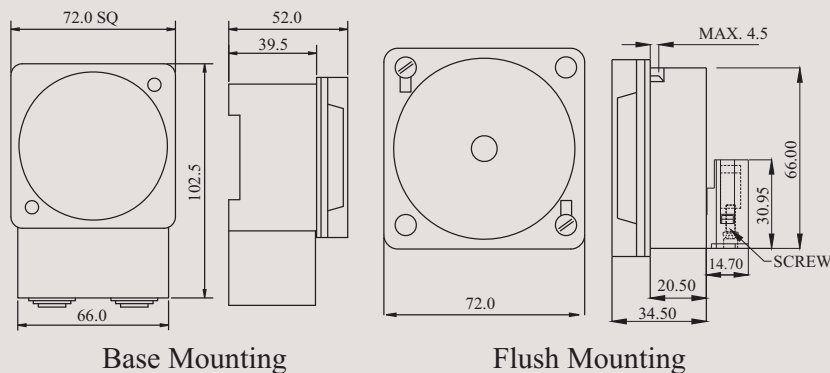
Cat. No.		J648B1	D847B2
<b>Parameters</b>			
Supply Voltage 中		240 VAC	
Frequency		50/60 Hz	
Power Consumption (Max.)		2 VA	4.4 VA
Accuracy		± 1.5 s/day at 20°C	± 1 s/day at 20°C
Relay Output		1 C/O	1 C/O
Contact Rating	Resistive	16A @ 250 VAC, 0.25A @ 220VDC	16A @ 250 VAC
	Inductive (cosφ = 0.6)	8A @ 250 VAC, 0.1A @ 220 VDC	4A @ 250 VAC
	Incandescent Lamp	1350 W	1350 W
Shortest Switching Time	Daily	15min	1min
	Weekly	2h	1min
Power reserve		150h	10 years from Factory at 20°C
Memory locations		N. A.	20
Storage Temperature		- 20°C to + 55°C	
Manual Over-ride		Provided	
Mounting		Flush, Base / DIN rail	
Weight (unpacked)		185 g	

## ORDERING INFORMATION

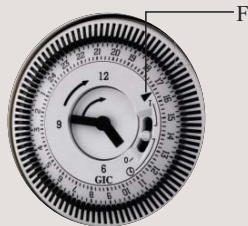
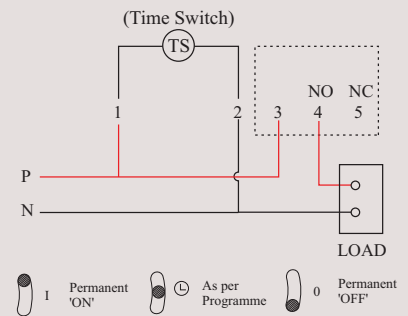
Cat. No.	Description
J648B1	FM/1 QT 240 VAC, Daily Dial, Base / DIN Mounting
J848B1	FM/1 QW 240 VAC, Weekly Dial, Base / DIN Mounting
J638B1	FM/1 QT 110 VAC, Daily Dial, Base / DIN Mounting
J838B1	FM/1 QW 110 VAC, Weekly Dial, Base / DIN Mounting
D847B2	FM/1 Digi20 Plus 240 VAC, Daily / Weekly, Base / DIN Mounting

Note: For Flush Mounting model, replace B by F in Cat. No.

## MOUNTING DIMENSION (mm)



## CONNECTION DIAGRAM



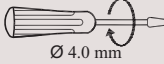
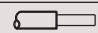
### TIME SETTING:

Rotate the switching Dial in clockwise direction until the current time (day / time incase of weekly model) is almost opposite to the marking arrow F. For fine adjustment rotate the minute hand in the clockwise direction until the clock shows the current time.

### PROGRAMMING:

Required Switch ON time is set on the Switching Dial by radially pulling outwards the corresponding black segments. Each segment on daily dial corresponds to 15 mins. & on weekly Dial corresponds to 2 hours.

## TERMINAL TORQUE & CAPACITY

 Ø 4.0 mm	Torque - 1.1 N.m (10 Lb.in) Terminal screw - M3.5
	Solid Wire - 1 X 0.2...5 mm <sup>2</sup>
AWG	1 X 24 to 10